



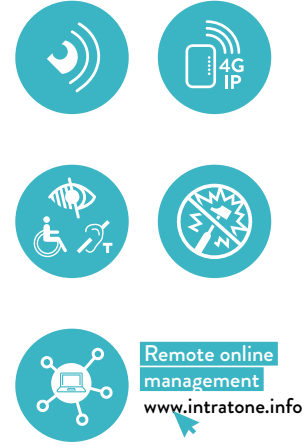
Push button intercom

Digital tags - Flush mounting

- Up to 56 buttons
- Digital tags
- Hands-free proximity reader

VIDEO INTERCOM WITH INDIVIDUAL BUTTONS

Digital tags, wide-angle camera, hands-free proximity reader, with or without keypad - Flush mounting



RANGE - Intercoms available with buttons in multiples of 4. Stainless steel finish.

FULL KIT INCLUDING 1 PUSH BUTTON VIDEO INTERCOM WITHOUT CODED KEYPAD + 1 DOOR CONTROLLER		FULL KIT INCLUDING 1 PUSH BUTTON VIDEO INTERCOM WITH CODED KEYPAD + 1 - DOOR CONTROLLER UNIT	
28-3001	4 call buttons	28-3007	4 call buttons
28-3002	8 call buttons	28-3008	8 call buttons
28-3003	12 call buttons	28-3009	12 call buttons
28-3004	16 call buttons	28-3010	16 call buttons
28-3005	20 call buttons	28-3011	20 call buttons
28-3006	24 call buttons	28-3012	24 call buttons
28-3020	28 call buttons	28-3013	28 call buttons
28-3021	32 call buttons	28-3014	32 call buttons
28-3022	36 call buttons	28-3015	36 call buttons
28-3023	40 call buttons	28-3016	40 call buttons
28-3024	44 call buttons	28-3017	44 call buttons
28-3025	48 call buttons	28-3018	48 call buttons
28-3026	52 call buttons	28-3019	52 call buttons
28-3027	56 call buttons		

ACCESSORIES	
12-0166	Surface box for a push button intercom, 4 buttons, no keypad - Surface mounting - Stainless steel finish - 156,50 x 351,50 x 50 mm
12-0170	Surface box for a push button intercom, 4 buttons with keypad up to 8 buttons without keypad - Surface mounting - Stainless steel finish - 156,50 x 451,50 x 50 mm
12-0169	Surface box for a push button intercom, 8 buttons with keypad up to 24 buttons without keypad - Surface mounting - Stainless steel finish - 266,50 x 451,50 x 50 mm
12-0168	Surface box for a push button intercom, 24 buttons with keypad up to 40 buttons without keypad - Surface mounting - Stainless steel finish - 376,50 x 451,50 x 50 mm

12-0167	Surface box for a push button intercom, 40 buttons with keypad up to 56 buttons without keypad - Surface mounting - Stainless steel finish - 486,50 x 451,50 x 50 mm
12-0172	Rain shield for a push button intercom, 4 buttons without keypad - Stainless steel finish - 156,50 x 347 x 35 mm
12-0173	Rain shield for a push button intercom, for 4 buttons with keypad up to 8 buttons without keypad - Stainless steel finish - 156,50 x 447 x 35 mm
12-0174	Rain shield for a push button intercom, for 8 buttons with keypad up to 24 buttons without keypad - Stainless steel finish - 266,50 x 447 x 35 mm
12-0175	Rain shield for a push button intercom, for 24 buttons with keypad up to 40 buttons without keypad - Stainless steel finish - 376,50 x 447 x 35 mm
12-0176	Rain shield for a push button intercom, for 40 buttons with keypad up to 56 buttons without keypad - Stainless steel finish - 486,50 x 447 x 35 mm

DESCRIPTION

Max number of apartments managed	max. 56
CONNECTION	
4G-IP module	✓
4G-IP MODULE CHARACTERISTICS	
Remote 4G-IP module	✓
Possibility to add a remote camera	✓
Max number of intercoms per module	1 video
Service package included	Upon request
ACCESS CONTROL EQUIPMENT	
Coded keypad	Optional
Hands-free proximity reader	✓
Audio induction loop	With optional keypad
MOUNTING	
Flush mounting	✓
FINISH	
Stainless steel	✓

Call length	40 sec.
Braille keypad	optional
Display : 2 lines of 16 characters	✓
Backlit display	✓
Accessible for all	✓
Anti-disturbance ⁽¹⁾	✓
Operational messages : (call in progress...)	✓
Speech synthesis	✓
Sound level adjustment without dismantling	✓
Automatic call return if no answer	✓
Call sheet display (apartments) during time slots	✓

⁽¹⁾ System ensuring that a resident is not disturbed by repetitive calls

TECHNICAL CHARACTERISTICS

POWER SUPPLY

Central unit 12 V DC 5A - 24 V DC 2,5A

WIRING

1 DOOR CENTRAL UNIT 03-0102

4G-IP module - Central unit

4 wires (2 twisted pairs) - Ø 8/10e - Max distance: 100m

Central unit - Intercom

4 wires (2 twisted pairs) - Ø 8/10e - Max distance: 100m

Intercom - 4G-IP module

4 wires (2 twisted pairs) - Ø 8/10e - Max distance: 100m

DIMENSIONS (L x H x D)

4 to 8 buttons **L 150 mm**

8 buttons + coded keypad up to 24 buttons **L 260 mm**

24 buttons + coded keypad up to 40 buttons **L 370 mm**

40 buttons + coded keypad up to 56 buttons **L 480 mm**

3 modules (Camera/Call button/Prox. reader) **H 345 mm**

4 modules (Camera/Call button/Coded keypad/Prox. reader) **H 445 mm - D 2,5 mm**

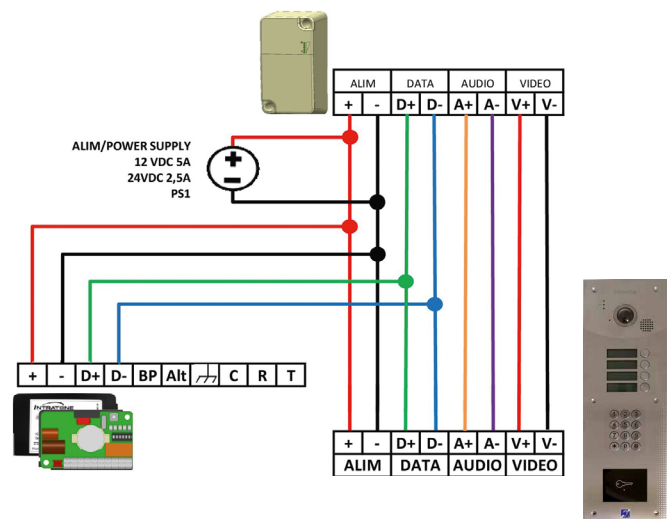
ENVIRONMENT

Working environment for the intercom :

-20° C to +60° C

Protection class : **IP54**

SIMPLIFIED SCHEMATIC



Don't forget to add your service package!

